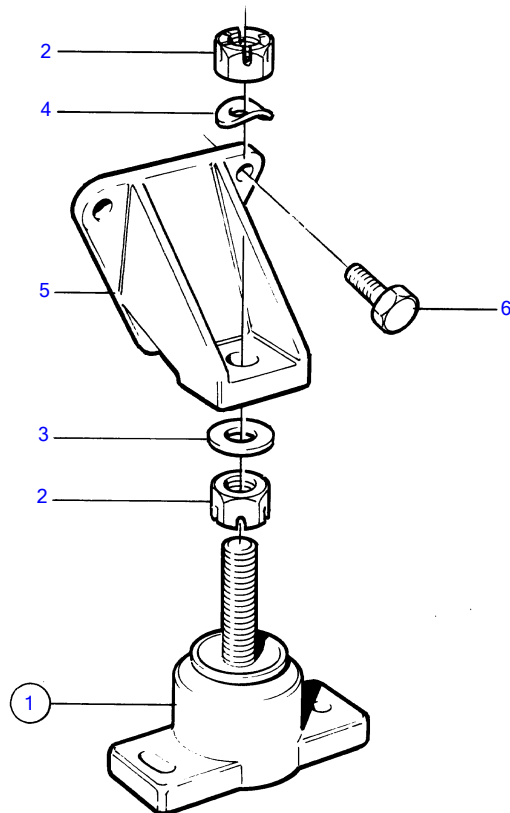
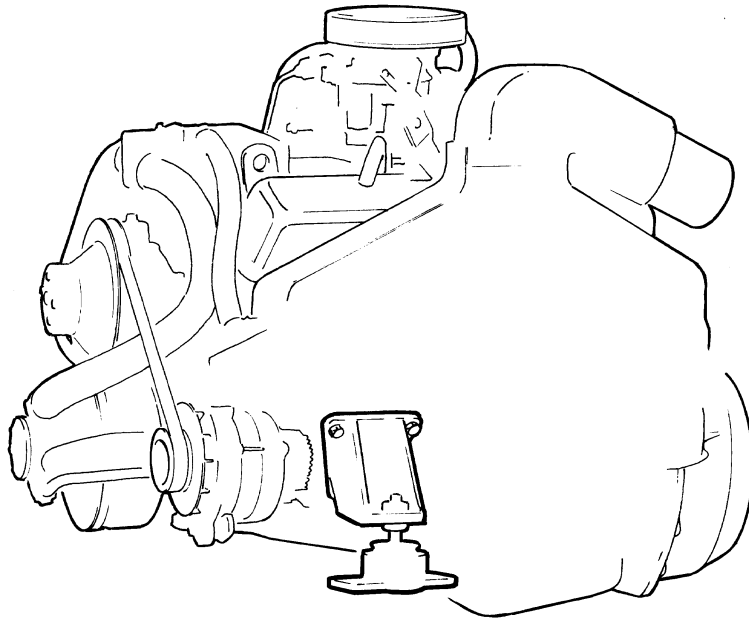


500B, 501B



500B, 501B

REF	PART NO.	QTY	DESCRIPTION
1	835449	2	Rubber cushion
2	944236	4	• Lock nut
3	955900	2	Washer
4	941912	2	Spring washer
5	835459	2	Engine mountings
6	955535	6	Hexagon screw